

P-OP23

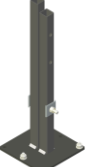
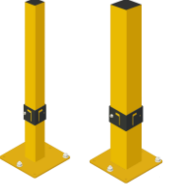


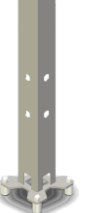
New Product Range

SATECH
Modular Machine Guards



2023 New Solutions Portfolio

Product Positioning

| NAMING | OPTIONS | PRICE RANGE | UNIQUE SELLING PROPOSITION | KEY FEATURES | IMPACT RESISTANCE |
|--|------------|-------------|---|-----------------------------------|----------------------|
| FastGuard  | 20 – 30 | \$ - \$\$\$ | <i>Ultra-rapid</i> | <i>No posts</i> | 390 - 500 |
| EasyGuard  | 40 – 60 | \$\$ | <i>2 in 1 / Easy Cross-modular</i> | <i>Welded baseplates, Clamp</i> | 250 J |
| ImpactGuard  | 40 – 60 | \$\$\$ | <i>2 in 1 / Resistant Cross-modular</i> | <i>2 Baseplates, Flowdrill</i> | 1600 - 2200 J |
| AdaptaGuard  | 50 | \$\$\$ | <i>Adaptable on-site Cross-modular</i> | <i>Frameless, Flowdrill</i> | 1600 J |
| BlueGuard  | 60 | \$\$\$\$ | <i>Hygienic</i> | <i>Stainless Steel, Frameless</i> | 600 J |
| CustomGuard | <i>All</i> | \$\$\$\$ | <i>Tailor-Made</i> | <i>Totally customized</i> | <i>Variable</i> |

EasyGuard

Versatility

| | | |
|--------------------------|-------------------------|-------------------------|
| FRAME mm 20 | POST mm 40 | POST mm 60 |
|--------------------------|-------------------------|-------------------------|

Functional and Ergonomic Perimeter Protection

Practical

EasyGuard is the simple and effective Perimeter Protection Solution. New 3-point welded bases and the new redesigned clip reduce installation times by up to 25%.

Versatile

EasyGuard is a customizable system with a wide range of accessories and doors. Available with 40 or 60 mm posts, it is ideal for delimiting machinery layouts in most industrial sectors.

Panels

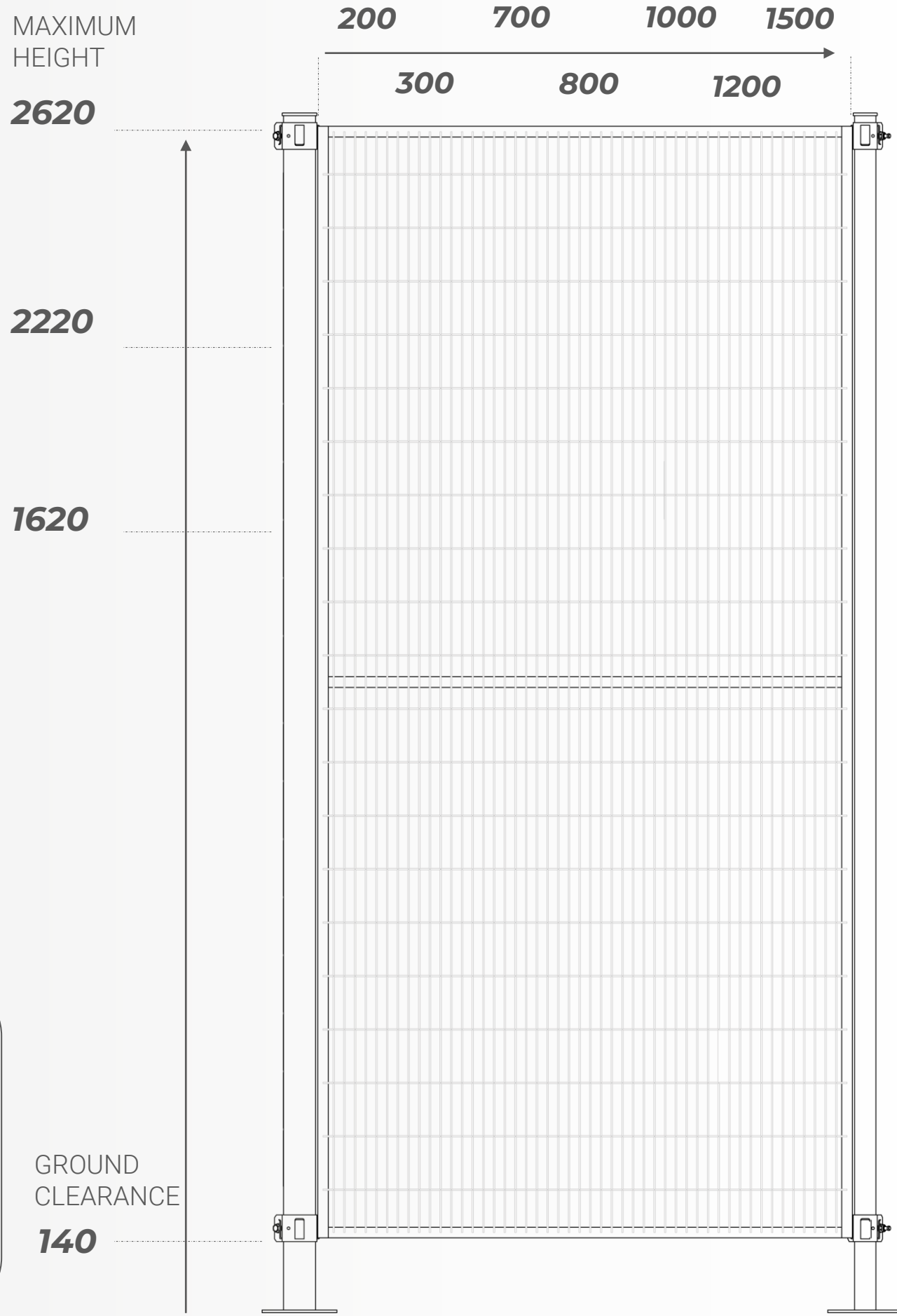
MESH (mm): 20x100x3
 SLOT (mm): 17x97
 HEIGHT (mm): 1480 – 2080 - 2480

Posts

BASEPLATE(mm): 140X140X5 welded
 3 anchoring points
 HEIGHT (mm): 1640 – 2240 - 2640

Colors

RAL COLORS 9005 1021 7035 Custom
 COATING Powder (indoor use only)

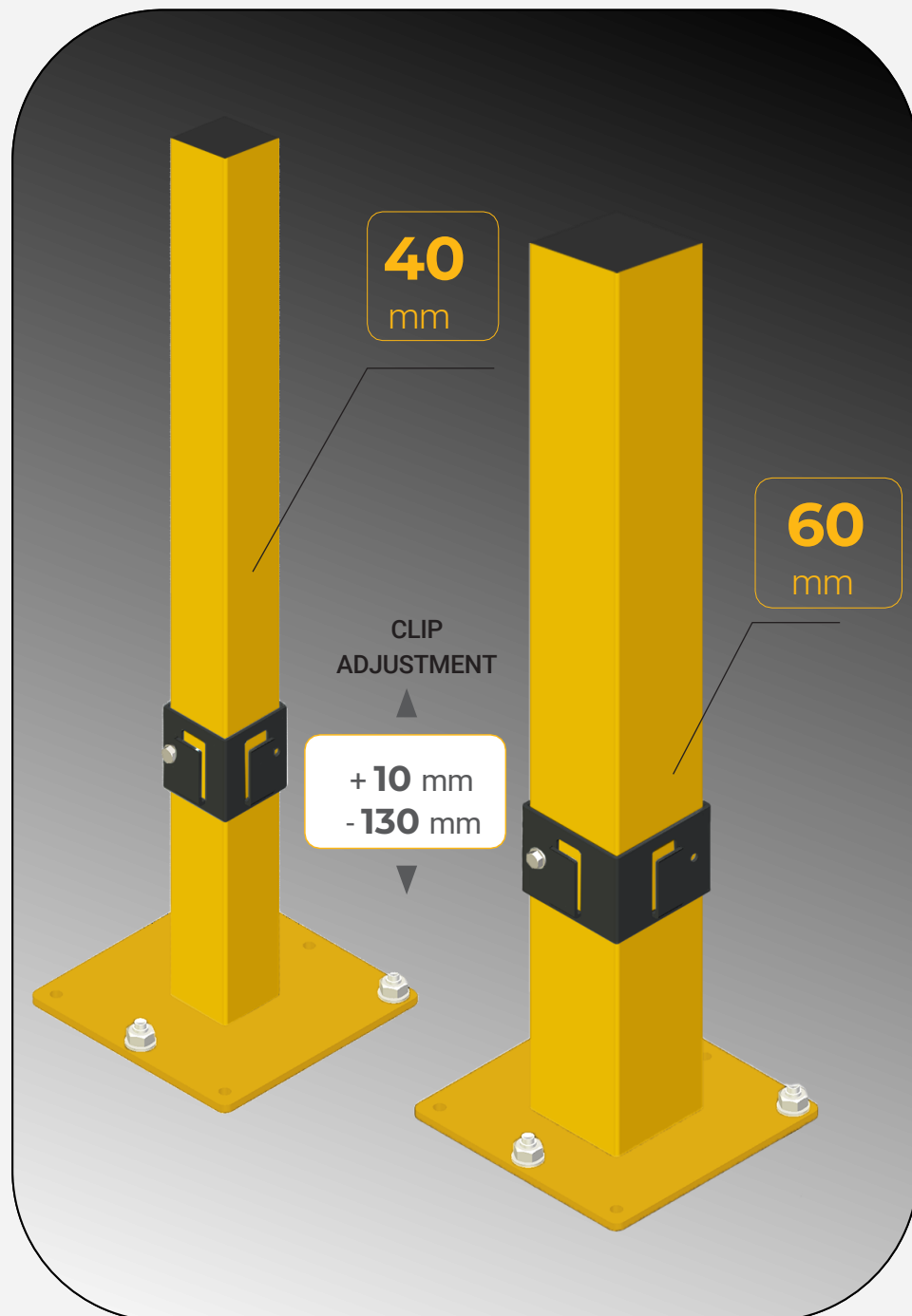


EasyGuard



Simple, practical: an effective and versatile system.

Double option of posts with smooth surface (no holes), a new welded base and the practicality of assembling with the clip: EasyGuard is the reliable Perimeter Protection, with renewed versatility.



New Posts without holes

The new EasyGuard posts have no holes on the 4 sides, offering **optimal aesthetics** and perfect interchangeability at any point of the layout.

They are available with a **40 mm section** or with a **60 mm section** for a bolder look and increased resistance to accidental impacts from the outside.

A new design for Satech baseplates

A new baseplate with **3 anchoring points** which offers the best adherence to the ground, **reduces installation times** and integrates a system to **compensate for the inclination of the floor**. Standard on all Satech systems in painted steel.



New Baseplate 140x140

Stability, strength and versatility.

Optimized ground fixing with 3 fixing points

Inclination adjustable through 3 threaded holes

Intuitive assembly

The new EasyGuard Clip with **captive screw** (Machinery Directive 2006/42/EC) and the new posts with only 3 fixings to the ground, simplify assembly by **minimizing installation time**.

-25%
Assembling Time



Why choose EasyGuard Perimeter Protection?

Price Range

€ €

Speed of Assembly



Min. Distance from Hazard (mm)

120
(EN ISO 13857)

Non-Mesh panel options
(FullSteel, transparent sheet, mixed)



The EasyGuard Perimeter Guard is designed and manufactured in compliance with EN ISO 14120 and meets Risk Assessment safety requirements.



Modular



Quick and intuitive assembly



Compatible with all accessories and doors



Wide range of panel options

ImpactGuard

FRAME
mm
20

FRAME
mm
40

POST
mm
60

Strength and Durability

The most solid and resistant Perimeter Protection

Robust

ImpactGuard is the solid and resistant Perimeter Protection Solution. The mounting system with captive screw and the new baseplates make the assembly stable and able to absorb impacts from the inside up to 1600 J for the 4020 and 2200 for the 6020 (2600 in the 6030 version).

Versatile

Available with a 40 or 60 mm "Mix & Match" post, ImpactGuard is compatible with all Satech panels, accessories and doors. Designed to last for a long time, it is ideal for heavy-duty applications, for example in the steel industry.

Panels

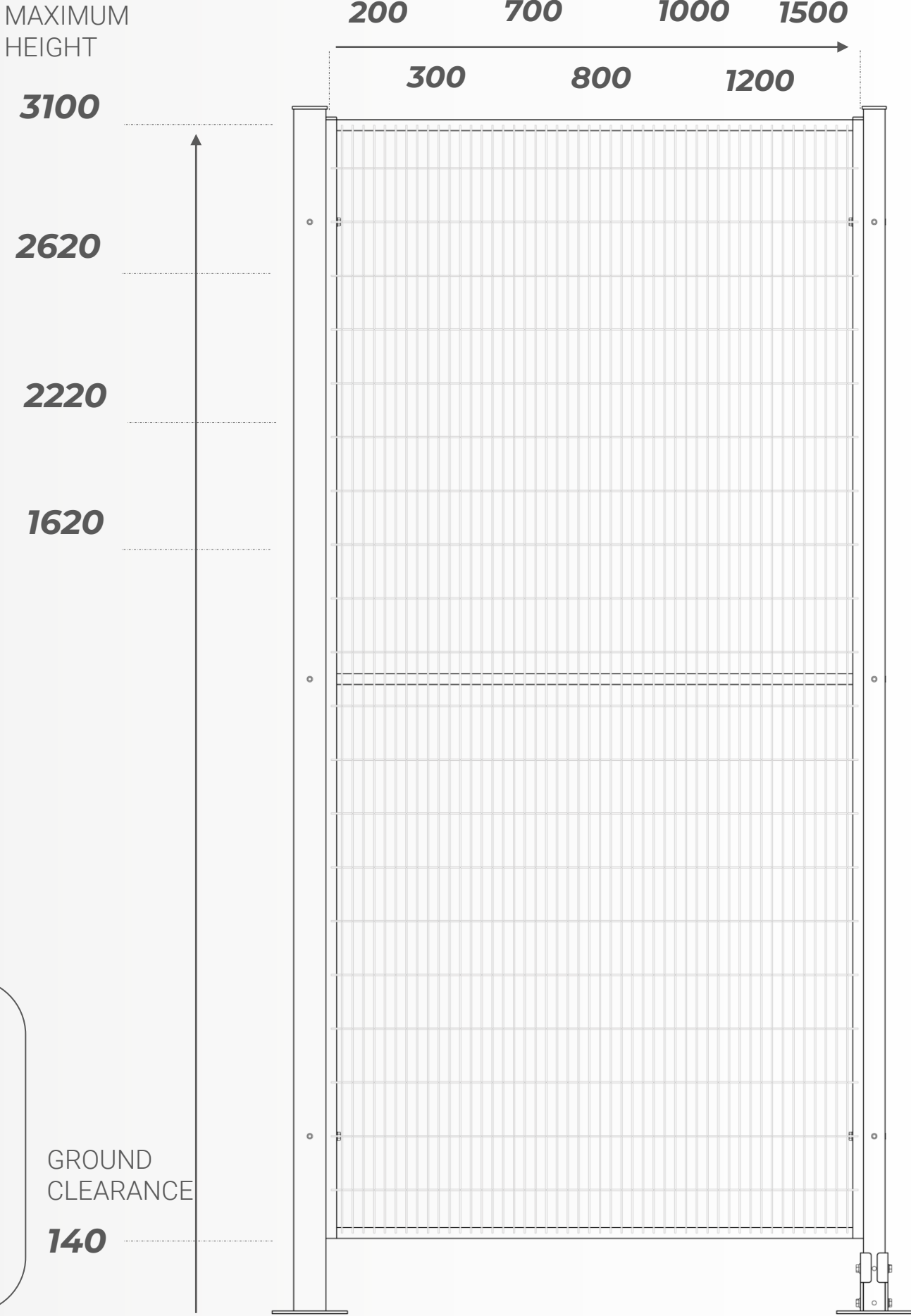
MESH (mm): 20x100x3
SLOT (mm): 17x97
HEIGHT (mm): 1480 - 2080 - 2480

Posts

BASEPLATES(mm): 60x60 140X140X5 welded
40x40: to assemble, adjustable
HEIGHT (mm): 1640 - 2240 - 2640 - 3120

Colors

RAL COLORS 9005 1021 7035 Custom
COATING POWDER (indoor use only)



ImpactGuard



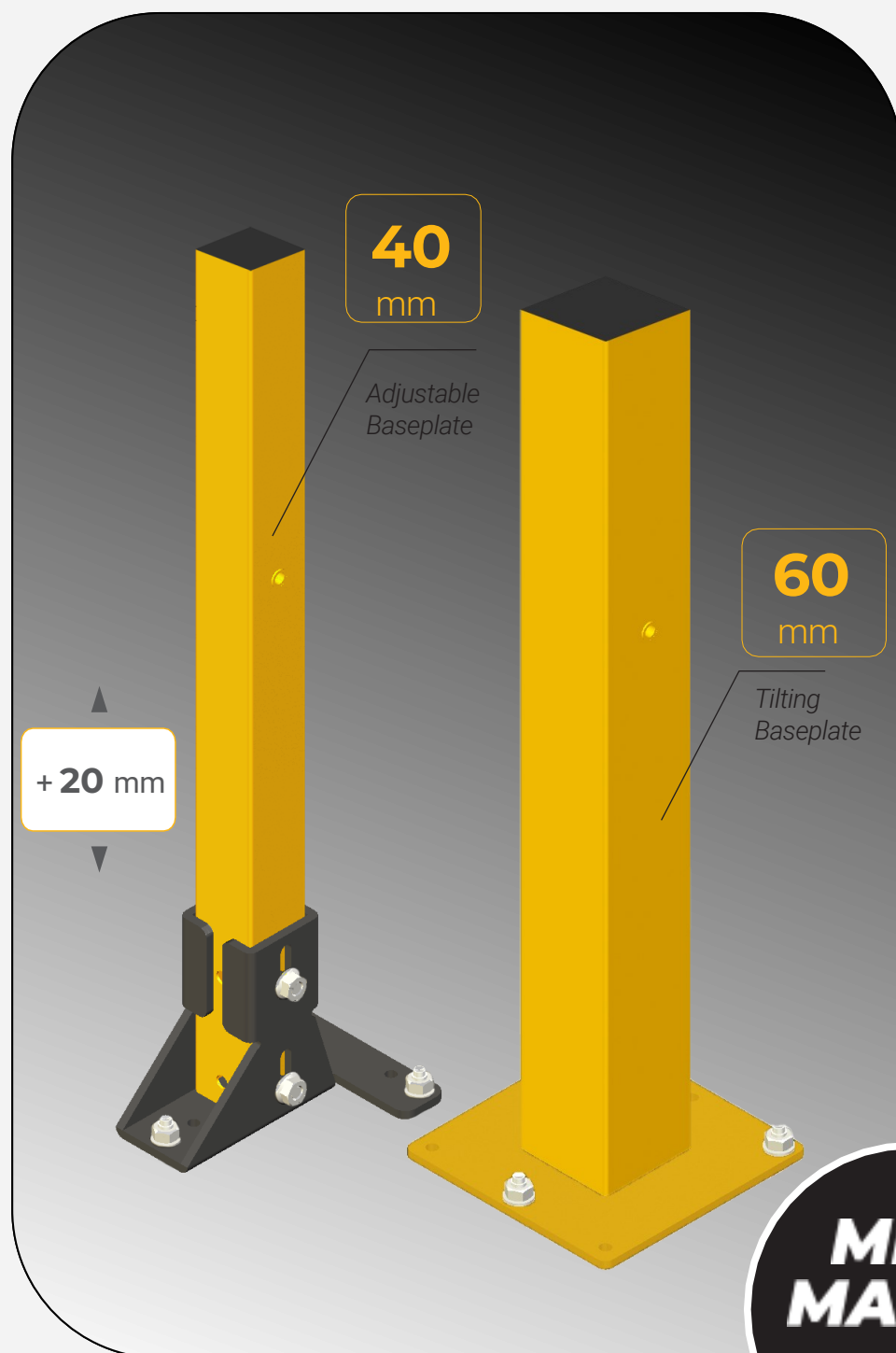
Simple, universal, resistant in all conditions.

Double option of posts and frame, compatibility with all Satech products for maximum customization: ImpactGuard is the solution that offers maximum solidity in all its combinations.

New "Mix & Match" Posts

The new "Mix & Match" Universal Post are compatible with all Satech panels, both with frame and frameless.

Available with a 40 or 60 mm section, they are equipped with new adjustable bases with 3 anchoring points designed to offer the best support on the ground and maximum impact resistance.



2 New Baseplates

Stability and resistance

Optimized fixing to the ground
Adjustable angle/height



ALSO AVAILABLE IN A 30mm FRAME VERSION (60mm POSTS ONLY)

30
mm

60
mm

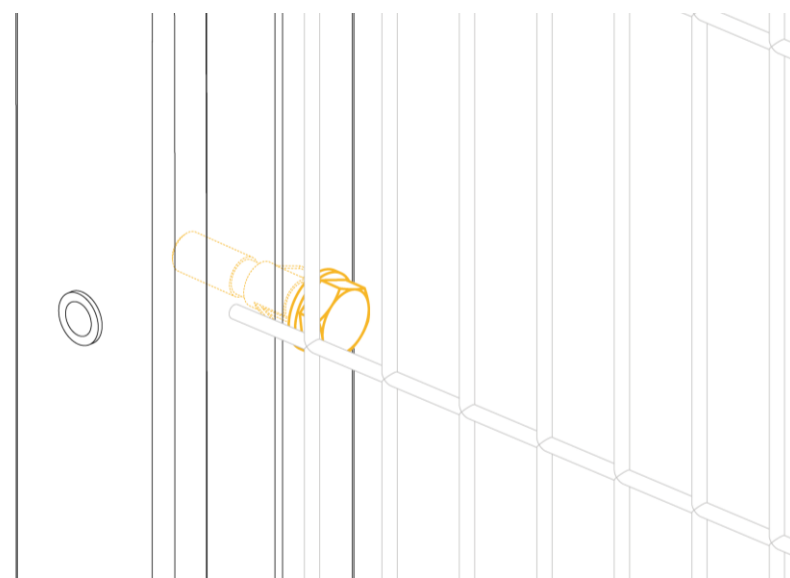


Tested for up to
2600 J



Impact proof Assembling

The new captive ImpactGuard fastener (Machine Directive 2006/42/EC) has a reduced number of components which optimizes assembly times, ensuring excellent impact resistance (Impact Test, EN ISO 14120).



Tested for up to
1600 J (4020)
2200 J (6020)

Why Choose ImpactGuard Perimeter Protection?

Price Range

€ € €

Speed of Assembly



Min. Distance from Hazard (mm)

120
(EN ISO 13857)

Non-Mesh panel options
(FullSteel, transparent sheet, mixed)



The ImpactGuard Perimeter Guard is designed and manufactured in compliance with EN ISO 14120 and meets Risk Assessment safety requirements.



Modular and solid, ideal for heavy duty applications



2 options of «Mix & Match» posts



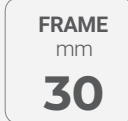
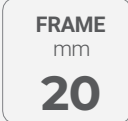
Compatible with all accessories and doors



Wide range of panel options

FastGuard

1,2,3 Done!



The Safety Fence with the Quickest Assembly

Fast

FastGuard Perimeter Protections allow faster assembly than traditional systems. FastGuard is ideal for partitioning areas or when significant impact resistance is not required, for example in automatic conveyor systems.

Simple

FastGuard is the System without posts that combines **simplicity, convenience and versatility**. Like all Satech Solutions, it can be completed with our range of doors and accessories.

Panels

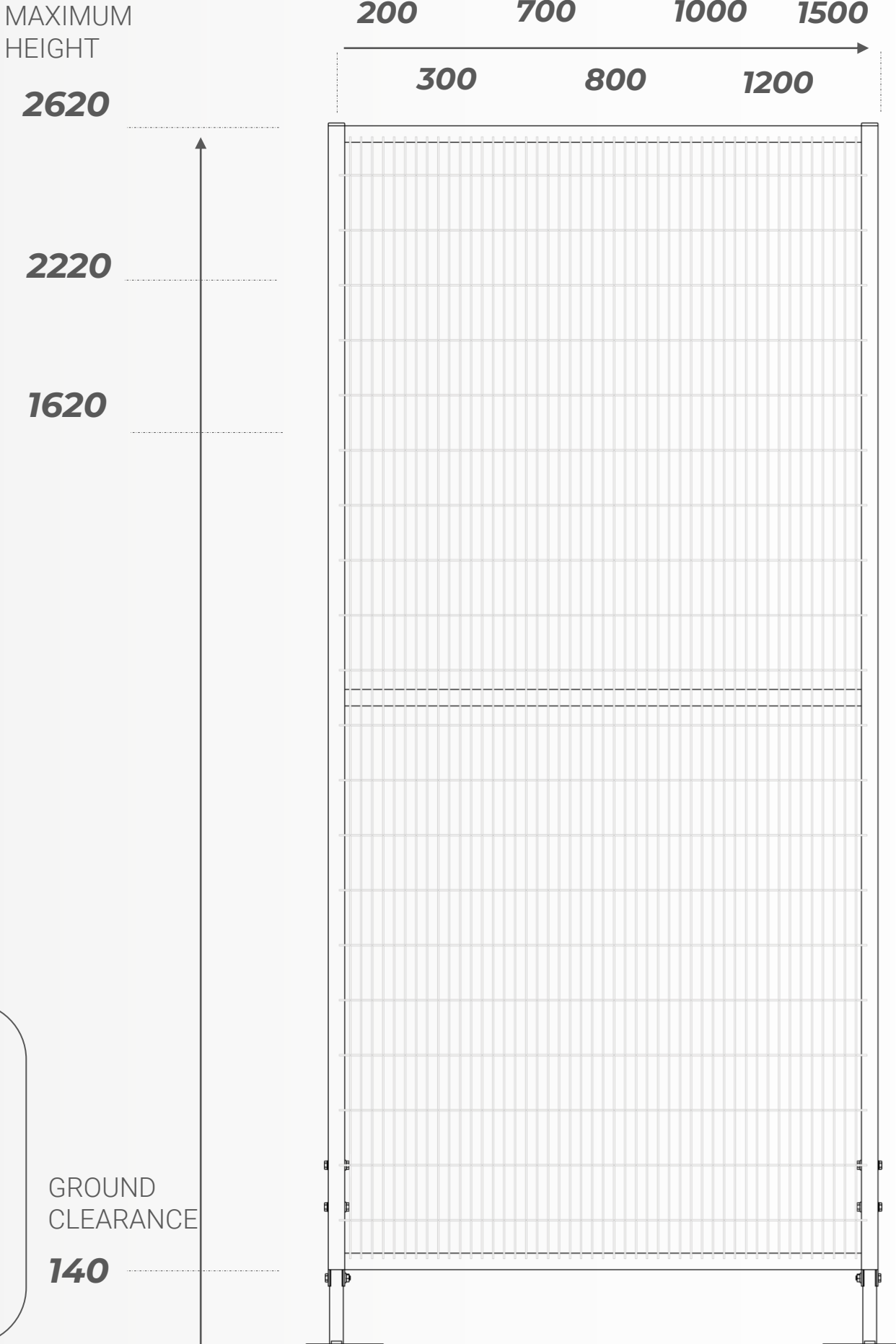
- MESH (mm): 20x100x3
- SLOT (mm): 17x97
- HEIGHT (mm): 1480 – 2080 - 2480

Baseplates

- BASEPLATES (mm): Linear and Terminal
- DIMENSIONS (mm): 1640 – 2240 – 2640
- DOORS made with Mix&Match post section 60mm (FastGuard 30) or 40mm (FastGuard 20)

Colors

- RAL COLORS: 9005 (black), 1021 (yellow), 7035 (grey), Custom (multi-color)
- COATING: Powder (internal use only)

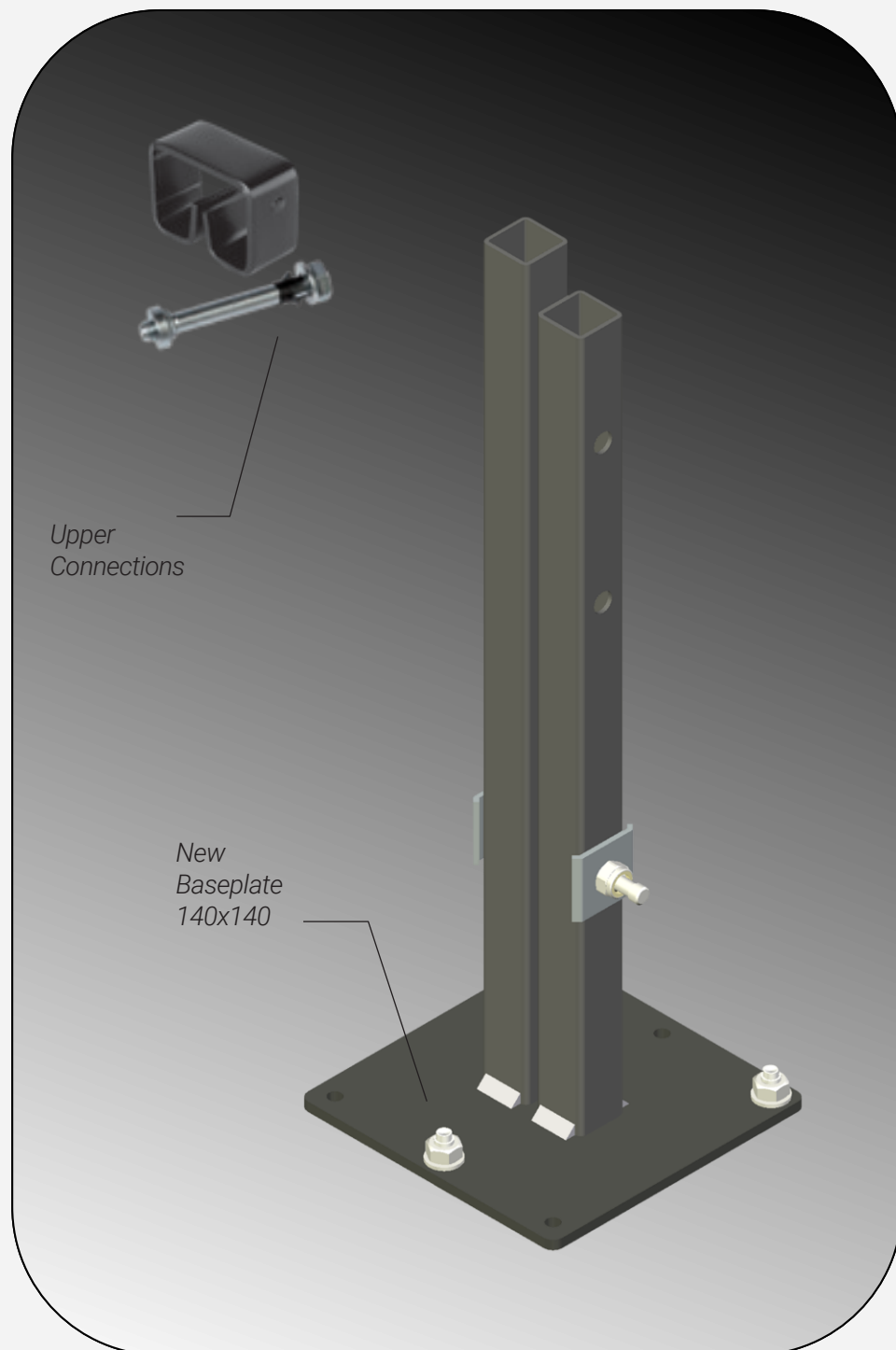


FastGuard



Great time saving, maximum effectiveness

The FastGuard Modular System saves up to 70% of assembly time by ensuring, even in the FastGuard 20 version, a minimum impact resistance of 390 J.



Simplicity and Stability

The new tilting fork baseplates with 3 anchoring points connect the modular panels in the lower part, while the upper part is connected with nuts&bolts or with a practical elastic deformation joint.

New Baseplate 140x140

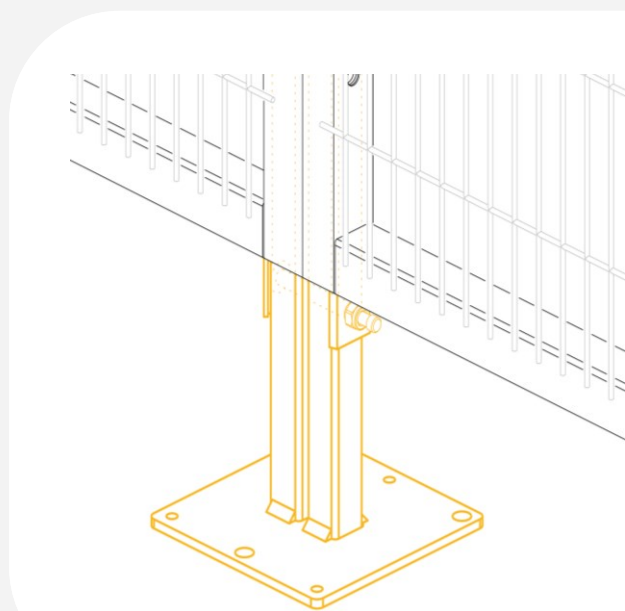
Stability, strength and versatility.

Optimized ground fixing with 3 fixing points
Inclination adjustable through 3 threaded holes



20
mm
FastGuard 20

ALSO AVAILABLE
with 20 mm FRAME panel



- 1 Place the multifunctional bases on the ground
- 2 Insert the panel from above
- 3 Tighten captive fasteners

Assembly in 3 simple steps

The FastGuard panels are supported and fixed by the same baseplates and aligned with an upper connection. Assembly is incredibly simple and can easily be handled even by one operator.

-70%
Assembling
time



Why Choose FastGuard Perimeter Protection?

Price Range

€ / € €

Speed of assembly



Min. Distance from Hazard (mm)

120
(EN ISO 13857)

Non-Mesh panel options (FullSteel,
transparent sheet, mixed)



The ImpactGuard Perimeter Guard is designed and manufactured in compliance with EN ISO 14120 and meets Risk Assessment safety requirements.



Modular, Ultra-Rapid and convenient



Self-supporting, without posts



Compatible with all accessories and doors



Wide range of panel options

AdaptaGuard

Ready for all eventualities!

New Frameless Panel

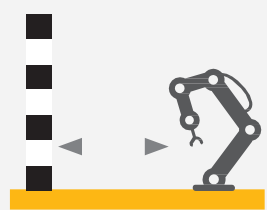
Safe and Resistant

The new electro-welded mesh made of **4mm high-strength steel wire** and its reinforcing ribs make the panel even sturdier and able to dynamically absorb potential impacts.

Anti-Climbing

The **new wide-angle reinforcing ribs** and the horizontal wires welded on the inside prevent climbing.

Less distance, more space saved



200mm

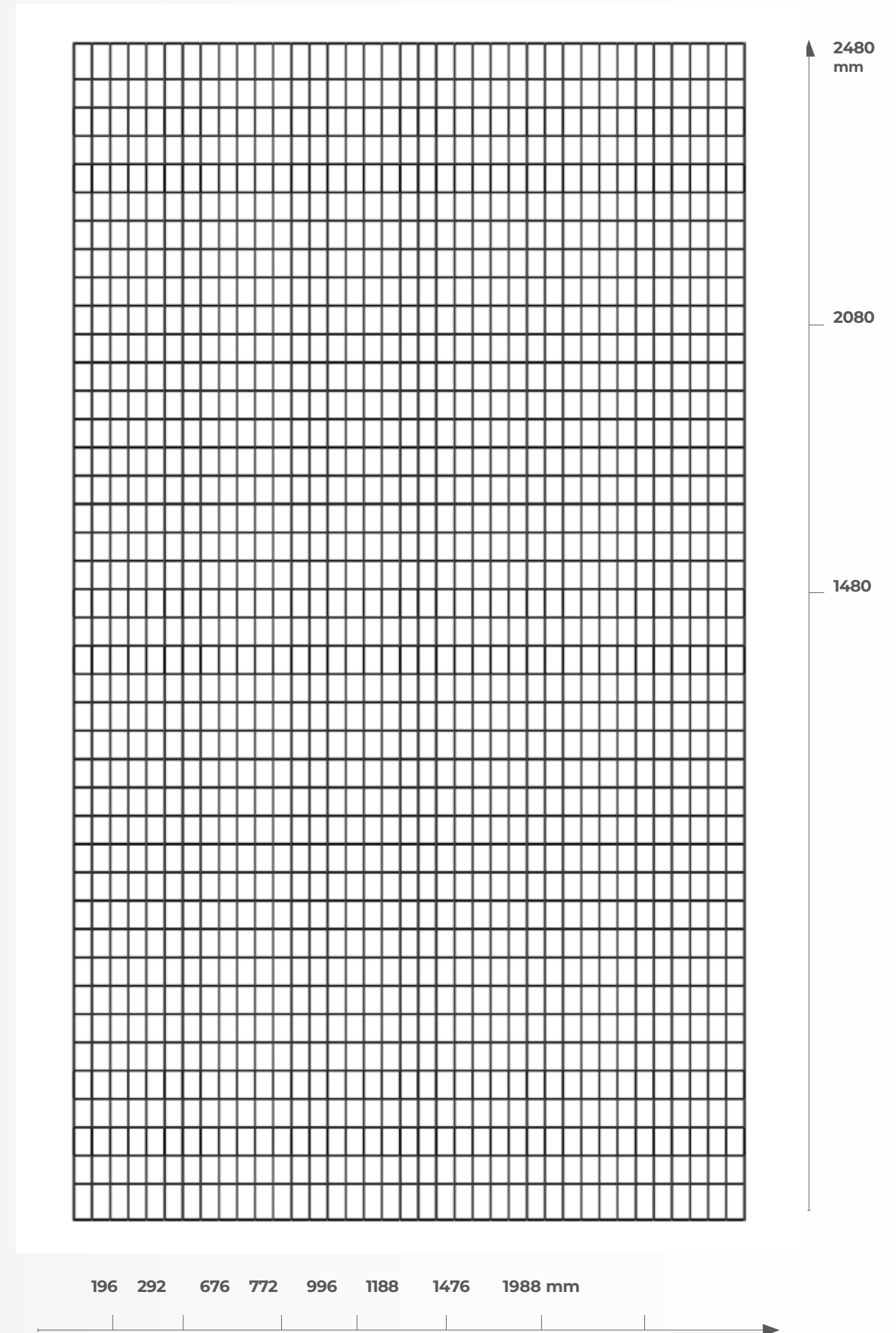
The **new 28x46mm mesh slot** allows to install the Guard only 200mm from hazard, reducing the space occupied by the safety perimeter.

New Panel for DOORS (with frame)

The **new door panel** maintains the **new characteristic design** of the frameless mesh, but the **wires** have a **3mm diameter** and the rigidity is guaranteed by a **30mm frame**.

Specifications

- MESH (mm): 30x50x3
- SLOT (mm): 27x47
- HEIGHT (mm): 1480 – 2080 – 2480



AdaptaGuard



Ready for all eventualities

The resistant and adaptable frameless Perimeter Guard

Practical

AdaptaGuard Perimeter Guards are safe, durable and easy to install. This frameless solution is designed to be **easily adaptable on-site** to fit any machinery need.

Resistant

The **4mm wire mesh**, **reinforcing ribs** and **50mm square baseplate posts** make AdaptaGuard lightweight yet strong. This solution is ideal in those situations where the **risk of impact** with mechanical equipment is **high**.

Frameless Panels

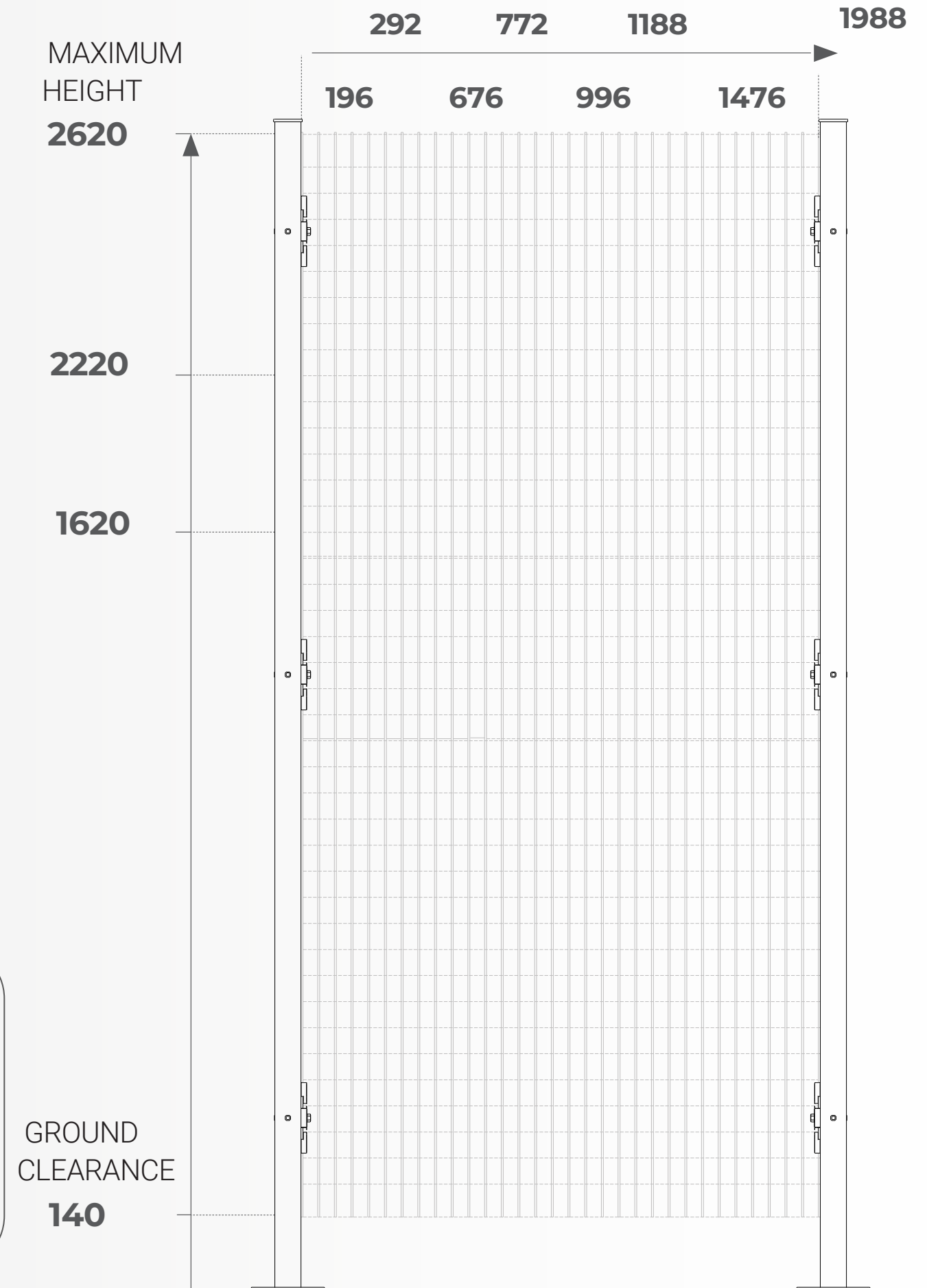
MESH (mm): 32x50x4
SLOT (mm): 28x46
HEIGHT (mm): 1480 – 2080 – 2480

Post

BASEPLATE (mm): 140X140X5, welded
HEIGHT(mm): 1640 – 2240 – 2640

Colors

RAL COLORS 9005 1021 7035 Custom
COATING Powder (indoor use only)

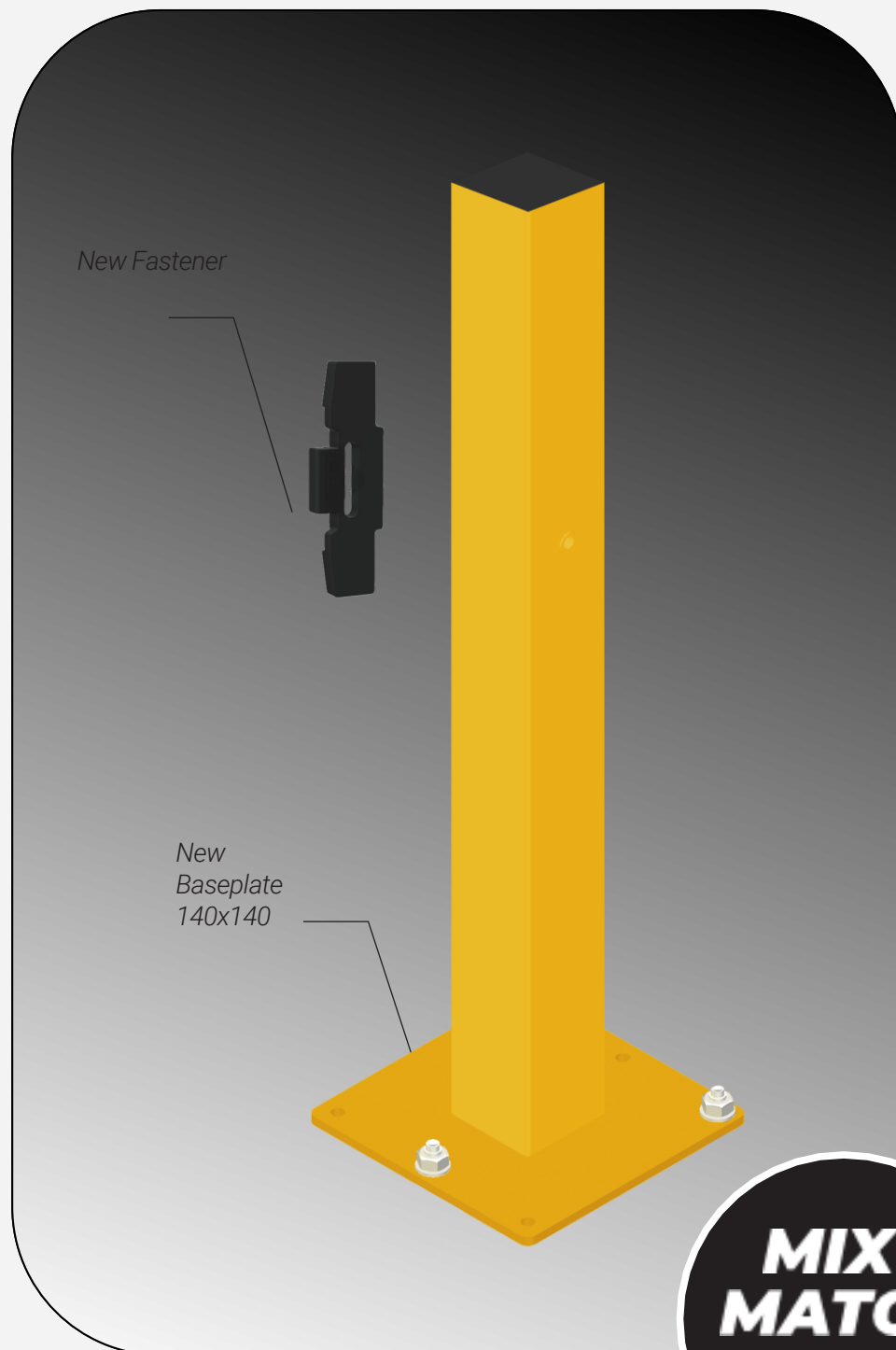


AdaptaGuard



Adaptable directly on-site

AdaptaGuard is a robust, easy-to-assemble Perimeter Guard that allows to adapt panel shapes and size directly on-site, thus **saving plenty of time** in the event of unforeseen circumstances.



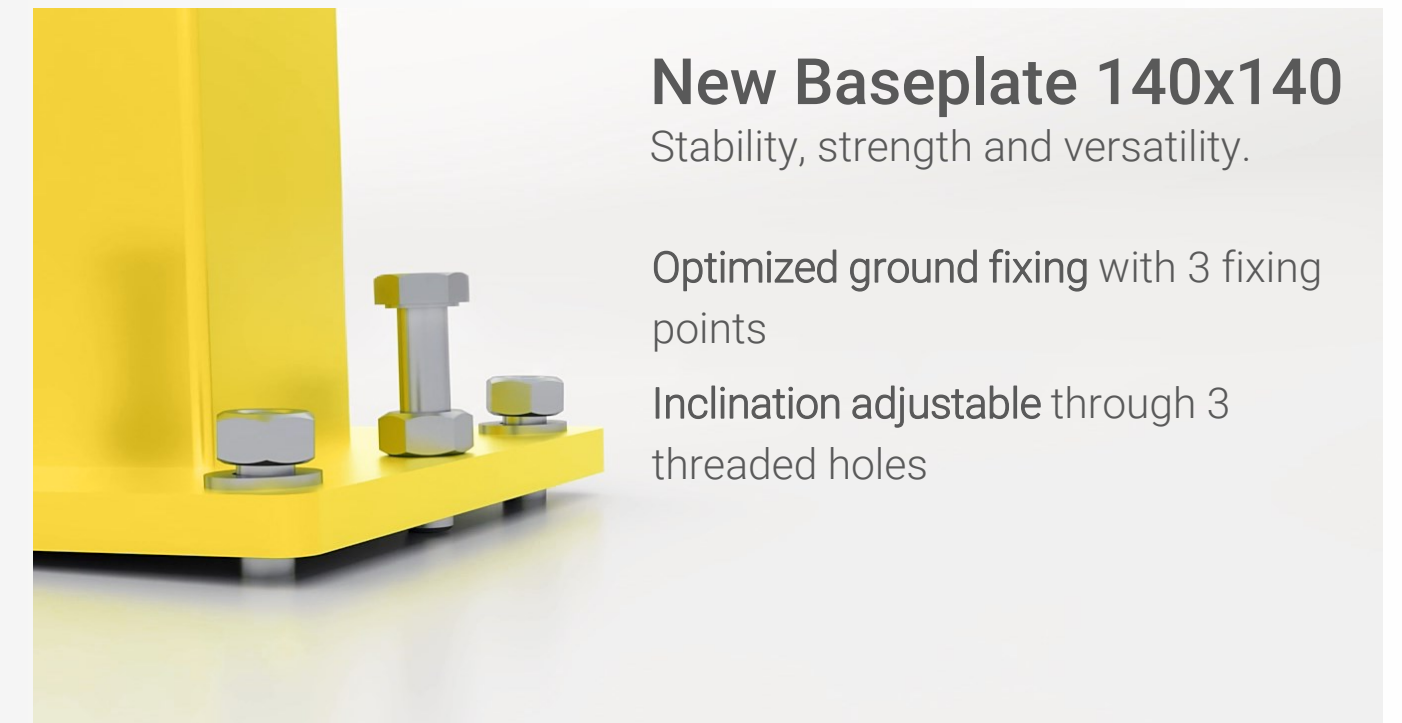
Unmatched versatility

New «Mix & Match» Posts

With its new «**Mix & Match**» Posts, AdaptaGuard is now compatible with FullSteel sheet metal panels and with transparent sheet ones for full personalization. **The new tiltable baseplates** with 3 anchoring points **reduce installation time**.

Ready for any application

AdaptaGuard's applications are unparalleled. Whether it's about making a cutout shape in the panel or a last-minute adjustment to its size, all you'll have to do is cut the mesh and the Guard will be ready for use, with **no additional work required**.



New Baseplate 140x140

Stability, strength and versatility.

Optimized ground fixing with 3 fixing points

Inclination adjustable through 3 threaded holes

Ease of Assembly

Assembling AdaptaGuard is easy and intuitive. The new high-strength nylon-fibreglass fasteners allow to quickly position the mesh and to connect it to the post via **capite screws**.

Tested for up to
1600 J



Why Choose AdaptaGuard Perimeter Protection?

Price Range



Speed of assembly



Min. Distance from Hazard (mm)

200
(EN ISO 13857)

Non-Mesh panel options (FullSteel,
transparent sheet, mixed)



The AdaptaGuard Perimeter Guard is designed and manufactured in compliance with EN ISO 14120 and meets Risk Assessment safety requirements.



Modular and adaptable on-site



Resistant to up to 1600J impacts



**Easy assembly
Quick installation**



Compatible with all accessories and doors

2023 New Solutions Portfolio

Product availability

| NAMING | FASTENER | POST TYPE | POST SECTION (mm) | POST HEIGHT (mm) | PANEL FRAME (mm) | PANEL HEIGHT (mm) |
|---------------|-----------------------|--|-------------------|----------------------------------|--------------------------|----------------------------------|
| FastGuard20 | <i>Nuts&Bolts</i> | <i>No Posts</i> | - | - | 20 x 20 | 1480 – 2080 |
| FastGuard30 | <i>Nuts&Bolts</i> | <i>No Posts</i> | - | - | 30 x 30 | 1480 – 2080 – 2480 |
| EasyGuard40 | <i>Clamp</i> | <i>Welded base Smooth (No holes)</i> | 40 x 40 | 1640 – 2240 – 2640 | 20 x 20 | 1480 – 2080 – 2480 |
| EasyGuard60 | <i>Clamp</i> | <i>Welded base Smooth (No holes)</i> | 60 x 60 | 1640 – 2240 – 2640 | 20 x 20 | 1480 – 2080 – 2480 |
| ImpactGuard40 | <i>Captive Screws</i> | <i>Base to be assembled M8 Flowdrill holes</i> | 40 x 40 | 1640 – 2240 – 2640 | 20 x 20 – 30 x 30 | 1480 – 2080 – 2480 |
| ImpactGuard60 | <i>Captive Screws</i> | <i>Welded base M8 Flowdrill holes</i> | 60 x 60 | 1640 – 2240 – 2640 – 3120 | 20 x 20 – 30 x 30 | 1480 – 2080 – 2480 – 2960 |
| AdaptaGuard | <i>AG Fastener</i> | <i>Welded base M8 Flowdrill holes</i> | 50 x 50 | 1640 – 2240 – 2640 | Frameless | 1480 – 2080 – 2480 |
| BlueGuard | <i>BG Fastener</i> | <i>Welded base</i> | 60 x 60 | 2240 | Frameless | 2080 |

2023 New Solutions Portfolio

System Heights Availability

| | 1640 | 2240 | 2640 | 3120 |
|---------------|------|------|------|------|
| FastGuard20 | ✓ | ✓ | | |
| EasyGuard40 | ✓ | ✓ | ✓ | |
| ImpactGuard40 | ✓ | ✓ | ✓ | |
| EasyGuard60 | ✓ | ✓ | ✓ | |
| FastGuard30 | ✓ | ✓ | ✓ | |
| ImpactGuard60 | ✓ | ✓ | ✓ | ✓ |
| AdaptaGuard | ✓ | ✓ | ✓ | |
| BlueGuard | | ✓ | | |

2023 New Solutions Portfolio

Doors Availability

40x40

1640

2240

2640

3120

Hinged - Single



Hinged - Double



Sliding - Upper
Guide Single



Sliding - Upper
Guide Double



Sliding - Upper
Guide Opposed



Open Passage - Tx



Open Passage - Tx
Opposed



2023 New Solutions Portfolio

Doors Availability

50x50

1640

2240

2640

3120

Hinged - Single



Hinged - Double



Sliding - Upper
Guide Single



Sliding - Upper
Guide Double



Sliding - Upper
Guide Opposed



Open Passage - Tx



Open Passage - Tx
opposed



2023 New Solutions Portfolio

Doors Availability

60x60

1640

2240

2640

3120

Hinged - Single



Hinged - Double



Folding - Single



Folding - Double



Sliding - Upper
Guide Single



Sliding - Upper
Guide Double



Sliding - Upper
Guide Opposed



Sliding - Upper
Guide - Alternate



2023 New Solutions Portfolio

Doors Availability

60x60

1640

2240

2640

3120

| | | | | |
|---|---|---|---|---|
| Open Passage | ✓ | ✓ | ✓ | ✓ |
| Open Passage - Opposed | ✓ | ✓ | ✓ | ✓ |
| Open Passage - TX | ✓ | ✓ | ✓ | ✓ |
| Open Passage – TX Opposed | ✓ | ✓ | ✓ | ✓ |
| Open Passage – TX multi stage | ✓ | ✓ | ✓ | ✓ |
| Open Passage – TX multi stage - Opposed | ✓ | ✓ | ✓ | ✓ |